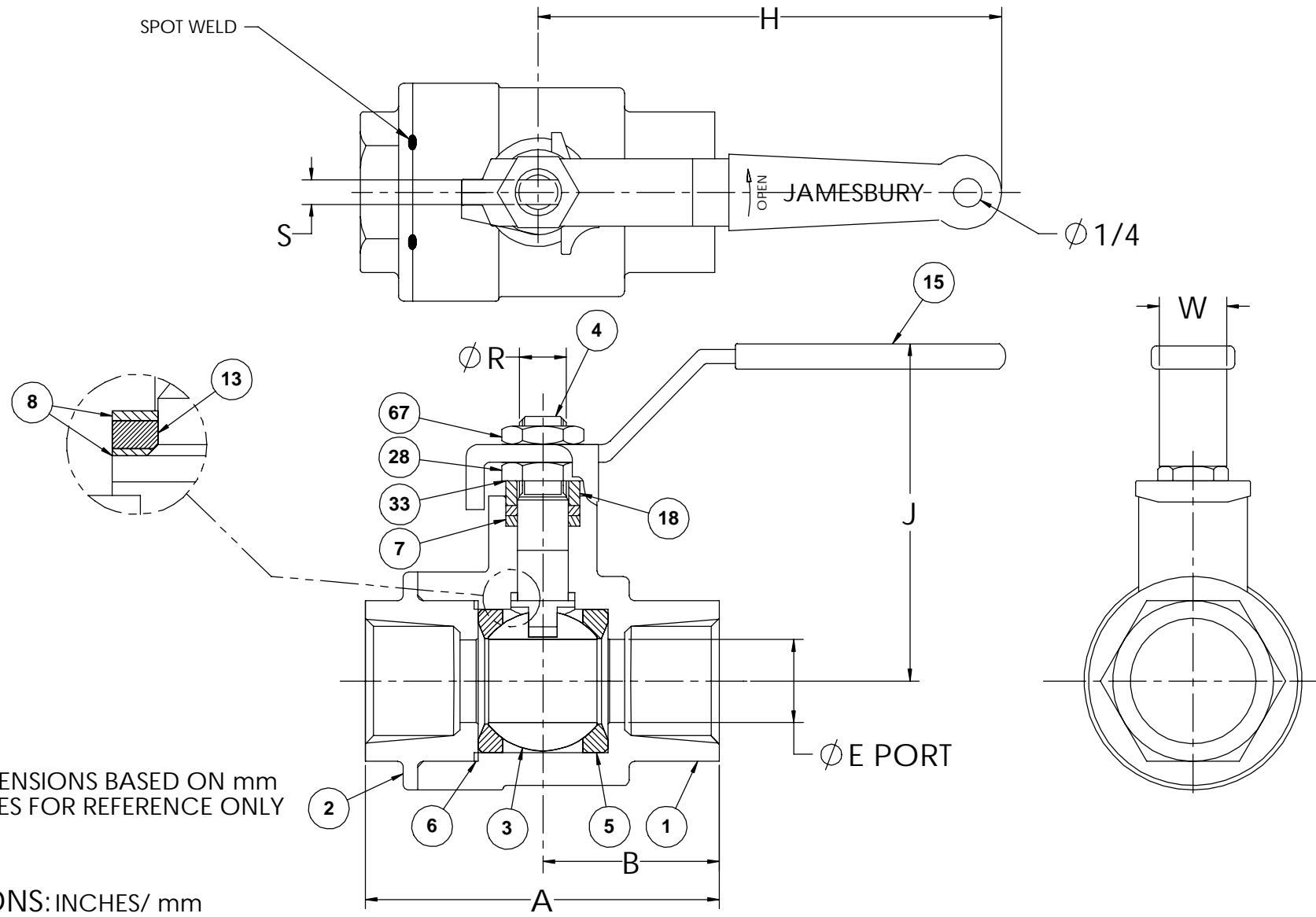


WE NELES ARE THE OWNERS OF THIS DOCUMENT AND ALL INFORMATION CONTAINED HEREIN WHICH MUST NOT, WITHOUT OUR WRITTEN PERMISSION, BE COPIED, GIVEN TO A THIRD PARTY OR IN ANY OTHER WAY USED AGAINST OUR COPYRIGHT. © 2021 NELES



NOTE: DIMENSIONS BASED ON mm INCHES FOR REFERENCE ONLY

DIMENSIONS: INCHES/ mm

NPS DN	A	B	E	J	H	R	S	W
1/2"	2.57	1.18	.50	2.20	4.00	.31	.18	.75
15.0	65.20	30.08	12.7	56.0	101.6	7.87	4.57	19.0
3/4"	3.38	1.58	.88	3.12	5.50	.50	.31	.88
20.0	85.90	40.12	22.35	79.3	139.7	12.7	7.87	22.3
1"	3.76	1.81	1.00	3.13	5.50	.50	.31	.88
25.0	95.60	45.95	25.4	79.5	139.7	12.7	7.87	22.3
1 1/4"	4.24	2.00	1.25	3.95	6.00	.63	.37	.98
32.0	107.60	50.81	31.75	100.4	152.4	16.0	9.4	25.0
1 1/2"	4.77	2.28	1.50	4.02	6.00	.63	.37	.98
40.0	121.10	58.01	38.1	102.0	152.4	16.0	9.4	25.0
2"	5.04	2.52	2.00	4.52	6.00	.63	.37	.98
50.0	127.94	63.97	50.8	114.79	152.4	16.0	9.4	25.0

1/2" - 2" BALL VALVE

MATERIALS LIST:

P/N	QTY	PART NAME	B266J-1	B266J-3
1	1	BODY	A351-CF8M	A216-WCB
2	1	BODY CAP	A351-CF8M	A216-WCB
3	1	BALL	316 SS	316 SS
4	1	STEM	316 SS	316 SS
5	2	SEAT	PTFE/ FILLED PTFE	
6	1	BODY SEAL	GRAPHITE	
7	2	STEM SEAL	PTFE	PTFE
8	2	STEM BEARING	PTFE/ FILLED PTFE	
13	1	2ND STEM SEAL	GRAPHITE	
15	1	HANDLE	304 SS	A283 CS
18	1	COMPRESSION RING	304 SS	304 SS
28	1	STEM NUT	304 SS	304 SS
33 [‡]	1	SPRING	304 SS	304 SS
67	1	SELF LOCKING NUT	NYLON + 304SS	

[‡] 3/4", 1", 1-1/2" & 2" ONLY

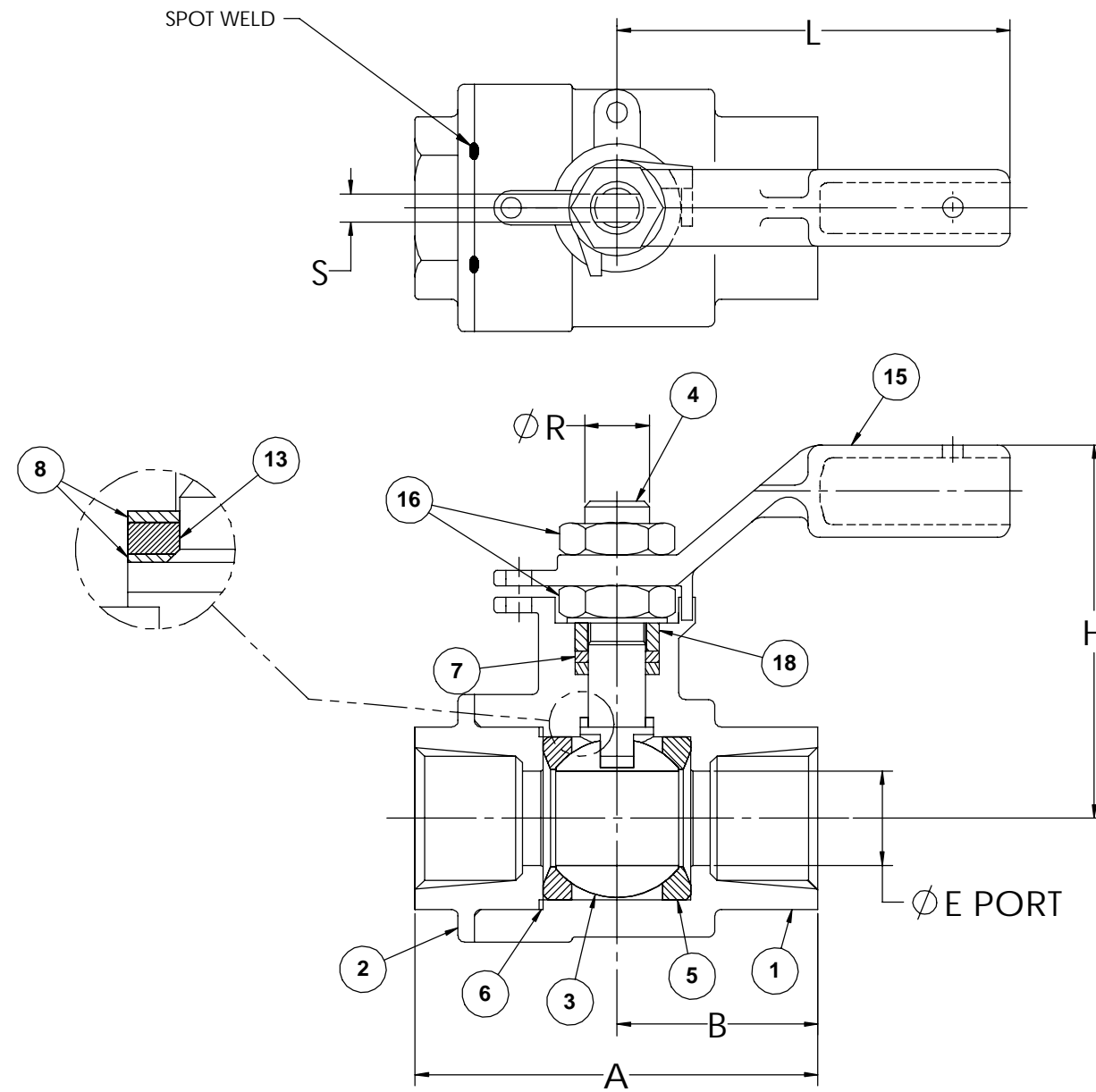
UNLESS OTHERWISE NOTED
DIMENSIONS IN INCHES.
DIMENSIONING, TOLERANCING, AND DRAWING
INTERPRETATION IS IN ACCORDANCE WITH
ASME Y14.5M
ANGLES = ±5° FINISH = 250/
REMOVE SHARP EDGES AND CORNERS TO
0.02 - 0.03 RADIUS OR CHAMFER

SPECIFICATIONS TO BE
USED IN CONJUNCTION
WITH THIS DRAWING:

SIZE D V16.06	MAKE FROM	WEIGHT	VOLUME cm ³	DRAWN ECB	NELES
1/2 - 3 6FR FULL PORT 2 PCS BALL VALVE SCREWED END				REVIEWED	
				APPROVED RPL	DATE 4/14/2014
				DRAWING NO. S5110	REV. D
SOLIDWORKS			LOCATION SHREWSBURY - USA	RESTRICTED	SHEET 1 OF 2

ECN NO.
46137
REVISION DESCRIPTION
REDRAWN IN SOLIDWORKS.
UPDATED DRAWING TO LATEST NELES TEMPLATE.

DRAWN
P. DORRIAN
APPROVED
M. NEWELL
REVIEWED
DATE
1/8/2021



MATERIALS LIST:

P/N	QTY	PART NAME
1	1	BODY
2	1	BODY CAP
3	1	BALL
4	1	STEM
5	2	SEAT
6	1	BODY SEAL
7	2	STEM SEAL
8	2	STEM BEARING
13	1	2ND STEM SEAL
15	1	HANDLE
16	2	STEM NUT
18	1	COMPRESSION RING

NOTE: DIMENSIONS BASED ON mm
INCHES FOR REFERENCE ONLY

DIMENSIONS: INCHES/ mm

NPS DN	A	B	E	H	L	R	S
3"	7.36	3.68	2.99	6.55	5.98	1.00	.67
76.0	186.9	93.47	75.95	166.40	151.9	25.4	17.0

3" BALL VALVE

UNLESS OTHERWISE NOTED
DIMENSIONS IN INCHES.
DIMENSIONING, TOLERANCING, AND DRAWING
INTERPRETATION IS IN ACCORDANCE WITH
ASME Y14.5M
ANGLES = ±5° FINISH = 250/
REMOVE SHARP EDGES AND CORNERS TO
0.02 -0.03 RADIUS OR CHAMFER

SPECIFICATIONS TO BE
USED IN CONJUNCTION
WITH THIS DRAWING:

SIZE D V16.06	MAKE FROM	WEIGHT	VOLUME cm ³	DRAWN ECB	NELES
1/2 - 3 6FR FULL PORT 2 PCS BALL VALVE SCREWED END				REVIEWED	
				APPROVED RPL	DATE 4/14/2014
				DRAWING NO. S5110	REV. D
SOLIDWORKS			LOCATION SHREWSBURY - USA	RESTRICTED	SHEET 2 OF 2

ECN NO. 46137	REVISION DESCRIPTION REDRAWN IN SOLIDWORKS. UPDATED DRAWING TO LATEST NELES TEMPLATE.
------------------	---

DRAWN P. DORRIAN	REVIEWED
APPROVED M. NEWELL	DATE 1/8/2021